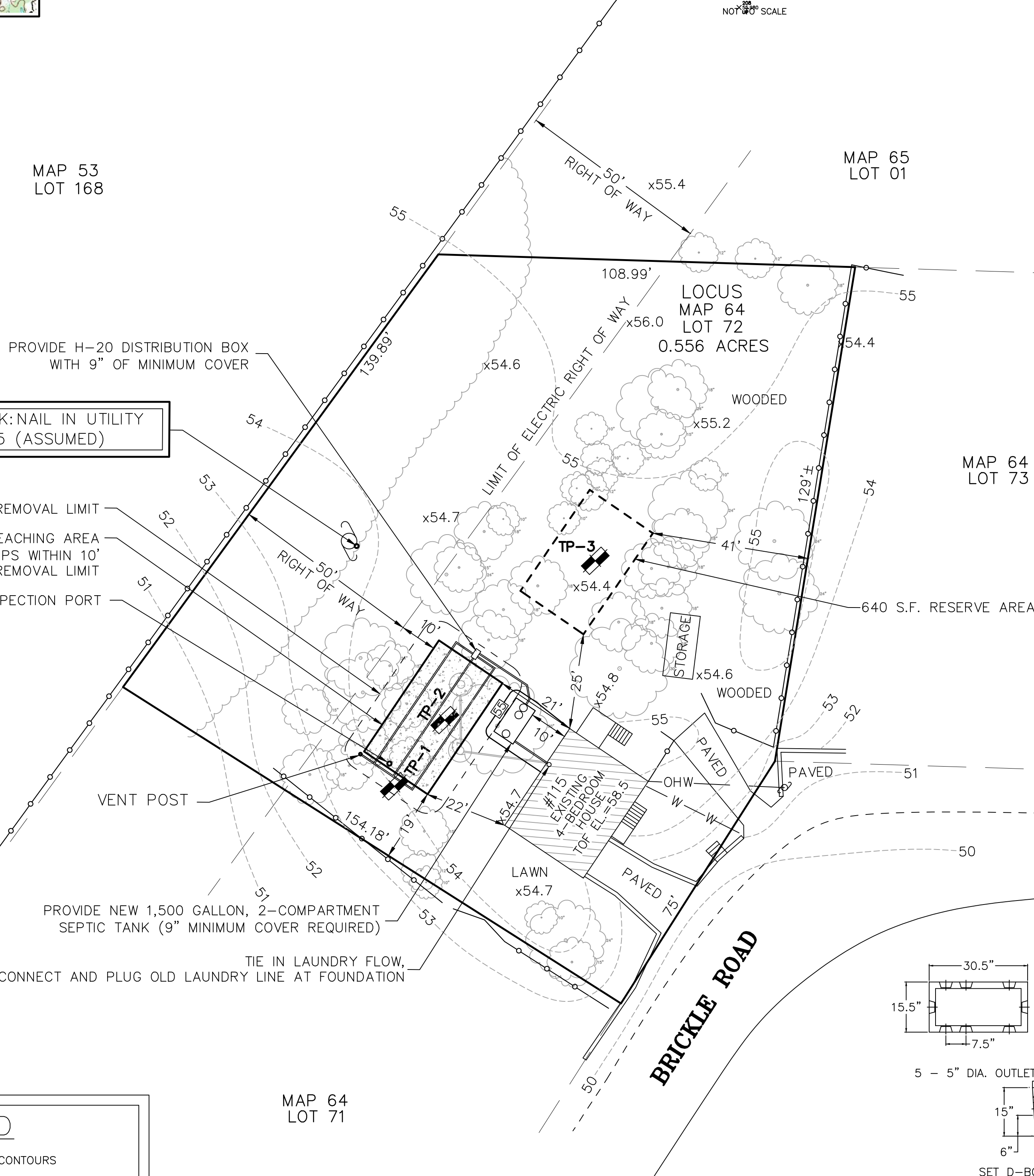


LOCUS PLAN

MAP 53
LOT 168

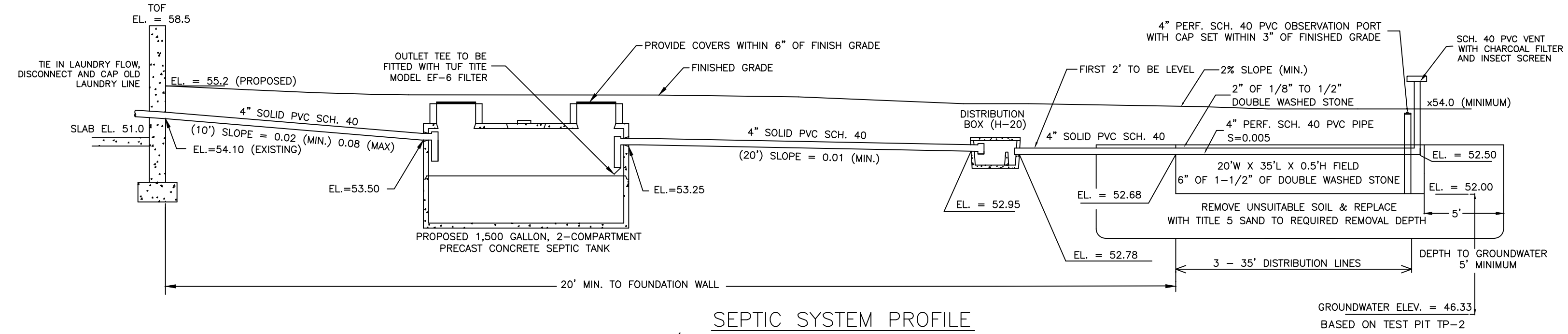
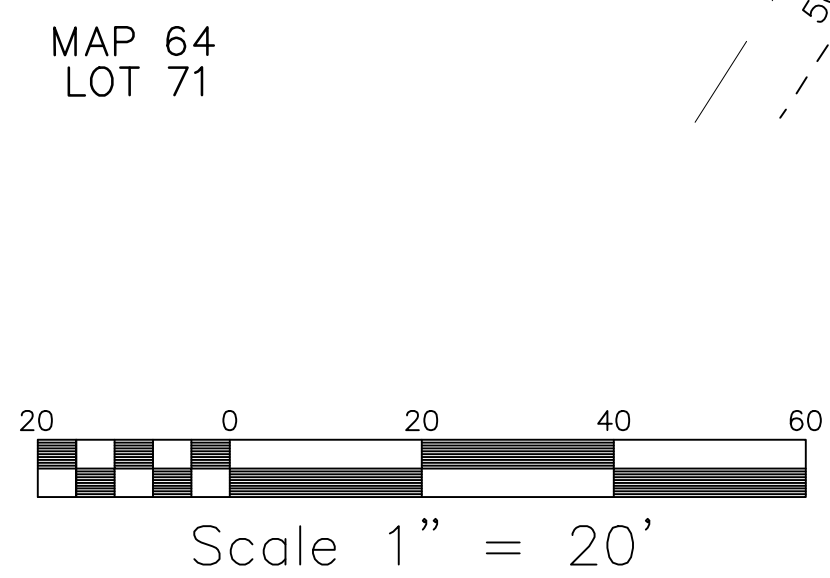
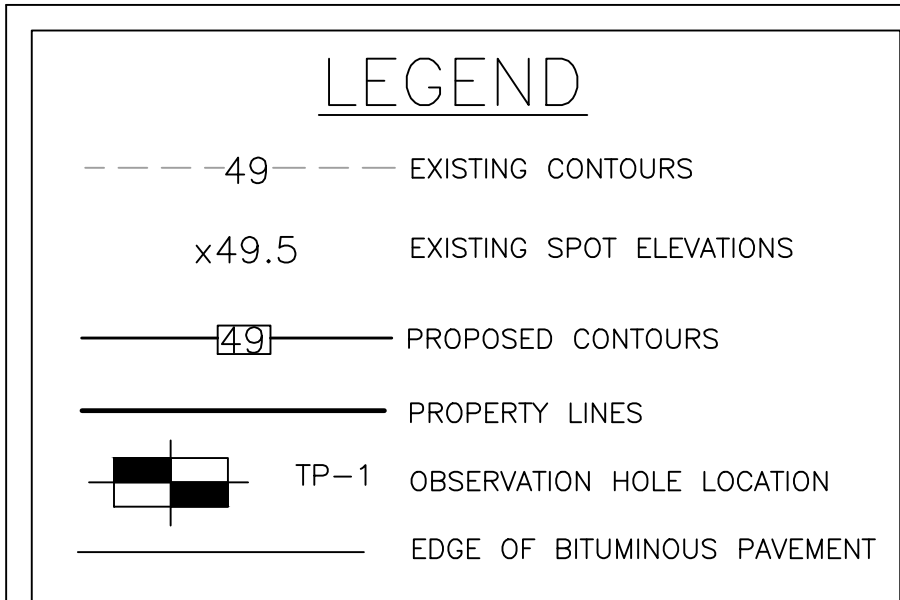


SITE BENCHMARK: NAIL IN UTILITY POLE, EL.=54.85 (ASSUMED)

5' UNSUITABLE SOIL REMOVAL LIMIT
20.0' X 35.0' PIPE AND STONE LEACHING AREA
(REMOVE ALL TREES AND STUMPS WITHIN 10'
OF UNSUITABLE SOIL REMOVAL LIMIT
PROVIDE CAPPED INSPECTION PORT

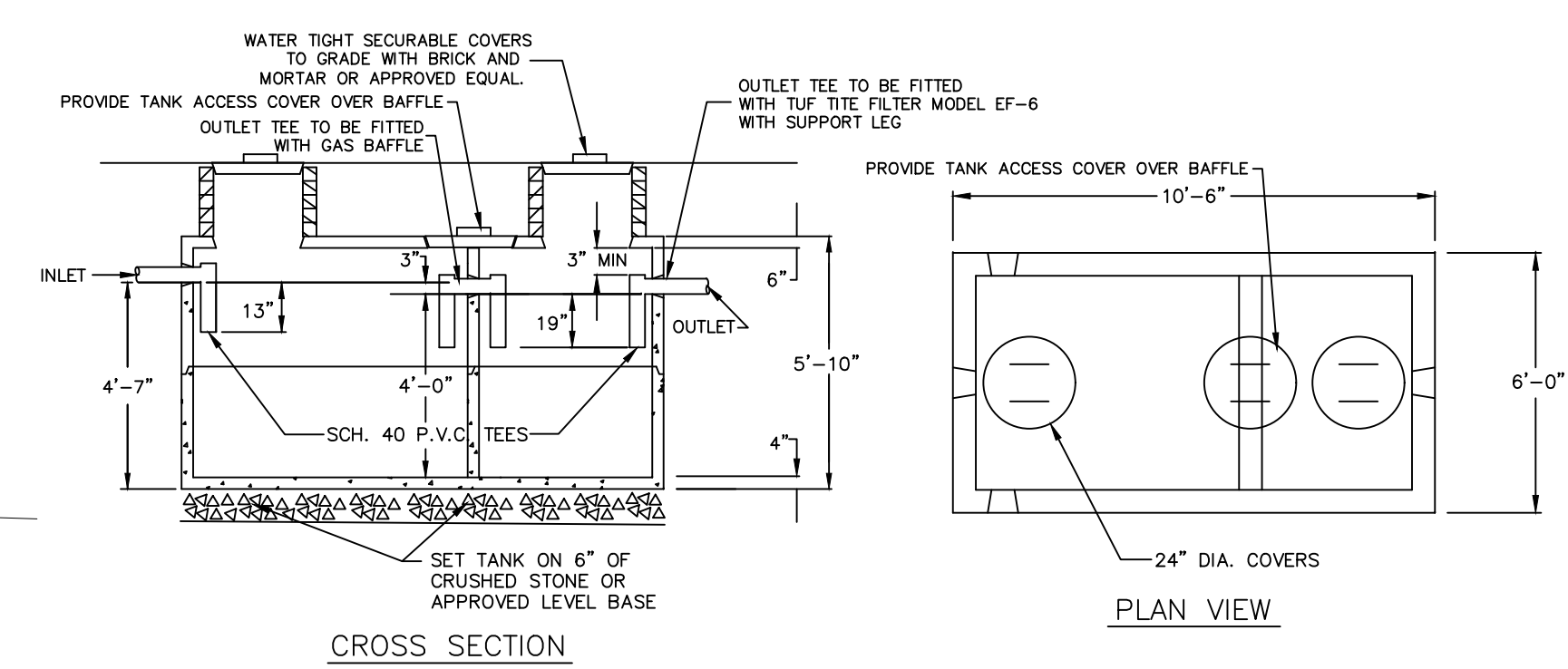
PROVIDE NEW 1,500 GALLON, 2-COMPARTMENT
SEPTIC TANK (9" MINIMUM COVER REQUIRED)

TIE IN LAUNDRY FLOW,
DISCONNECT AND PLUG OLD LAUNDRY LINE AT FOUNDATION



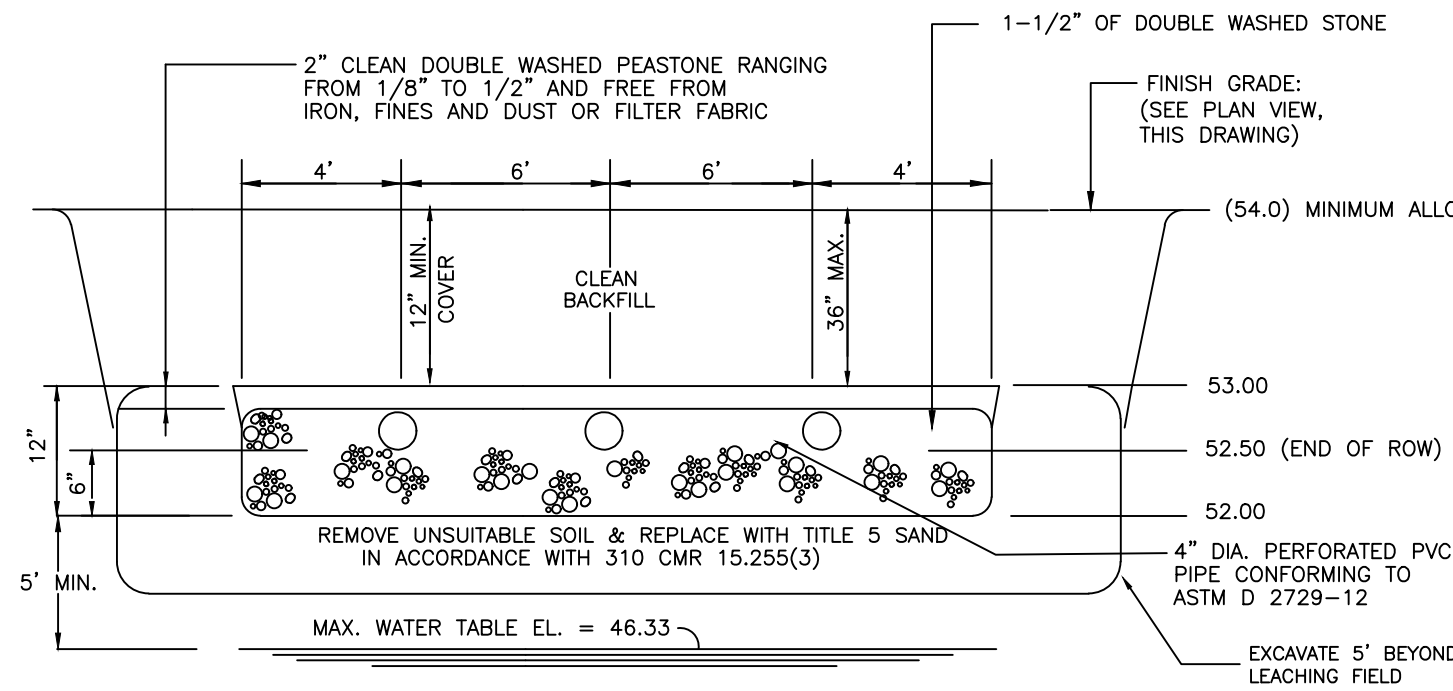
SEPTIC SYSTEM PROFILE

NOT TO SCALE



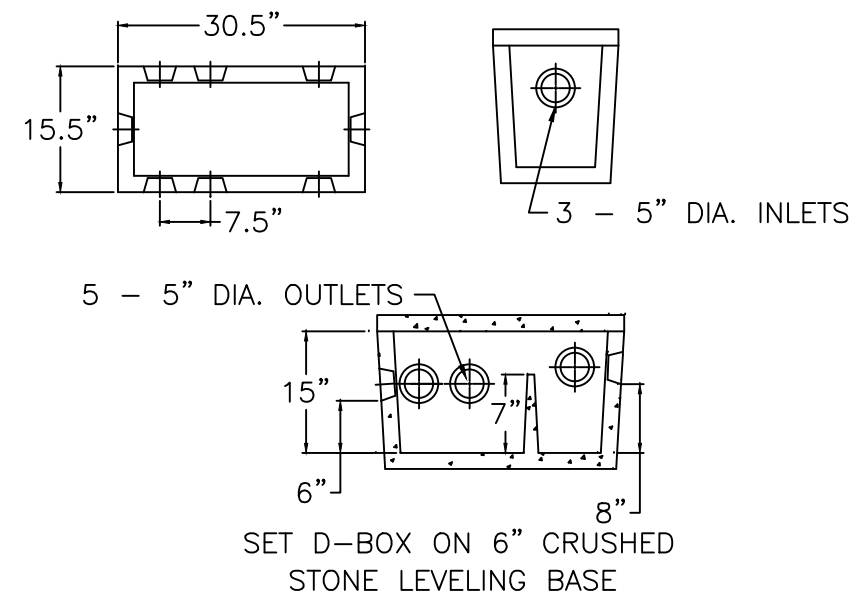
1,500 GALLON 2-COMPARTMENT
PRECAST SEPTIC TANK

NOT TO SCALE



CROSS SECTION AT END OF LEACH FIELD

NOT TO SCALE



H-20 DISTRIBUTION BOX

NOT TO SCALE

NOTE: DISTRIBUTION BOX SHALL
COMPLY TO MINIMUM REQUIREMENTS
OF 310 CMR 15.232.

ELEVATION SCHEDULE:

| DESCRIPTION | ELEVATION |
|------------------------------|-----------|
| 4" INV. AT HOUSE (EXISTING) | 54.10 |
| 4" INV. AT SEPTIC TANK (IN) | 53.50 |
| 4" INV. AT SEPTIC TANK (OUT) | 53.25 |
| 4" INV. AT DIST. BOX (IN) | 52.95 |
| 4" INV. AT DIST. BOX (OUT) | 52.78 |
| 4" INV. INTO START OF BED | 52.68 |
| 4" INV. END OF OF BED | 52.50 |
| ELEVATION AT BOTTOM OF SAS | 52.00 |
| GROUNDWATER ELEVATION | 46.33 |

NOTES:

- THE CONTRACTOR SHALL NOTIFY THE LOCAL BOARD OF HEALTH AND COLLINS ENGINEERING GROUP AT LEAST 48 HOURS PRIOR TO REQUIRED INSPECTIONS.
- SITE BENCHMARK IS A NAIL SET IN A UTILITY POLE IN RIGHT OF WAY, AS INDICATED ON THIS PLAN, EL = 54.85 (ASSUMED DATUM).
- HEAVY EQUIPMENT SHALL NOT BE ALLOWED TO OPERATE OVER THE LIMITS OF THE SEWAGE DISPOSAL FIELD DURING THE COURSE OF CONSTRUCTION OF THE SYSTEM.
- NO FIELD MODIFICATIONS TO THE SEWAGE SYSTEM SHALL BE MADE WITHOUT PRIOR WRITTEN APPROVAL OF THE ENGINEER AND THE LOCAL BOARD OF HEALTH.
- UNLESS OTHERWISE NOTED ALL SYSTEM COMPONENTS SHALL BE INSTALLED IN ACCORDANCE WITH TITLE 5 OF THE STATE ENVIRONMENTAL CODE AND ANY APPLICABLE LOCAL RULES.
- DISTRIBUTION BOX SHALL BE MANUFACTURED BY J&R PRECAST, INC. OR APPROVED EQUAL.
- GROUT TO BE USED AT ALL POINTS WHERE PIPES ENTER OR LEAVE ALL CONCRETE STRUCTURES IN ORDER TO PROVIDE A WATERTIGHT SEAL.
- THE FIRST TWO FEET OF EACH LINE EXITING THE DISTRIBUTION BOX SHALL BE LEVEL.
- THIS SYSTEM IS NOT DESIGNED TO ACCOMMODATE A GARBAGE GRINDER OR WATER FILTRATION SYSTEM BACKWASH.
- SYSTEM COMPONENTS TO WITHSTAND H-10 LOADING CRITERIA.
- CONTRACTOR TO PROVIDE A STEEL PLATE OVER THE EXISTING LEACHING PIT TO PROTECT IT DURING CONSTRUCTION. (PUMP AND FILL LEACHING PIT BEFORE COMPLETION.)
- THE CONTRACTOR SHALL DECOMMISSION (PUMP & FILL OR REMOVE) THE EXISTING SEPTIC SYSTEM AND ALL ASSOCIATED PIPING IN ACCORDANCE WITH 310 CMR 15.354.
- AS SHOWN, THERE ARE NO KNOWN WELLS WITHIN 100 FEET OF THE PROPOSED LEACH FIELD.
- ALL AREAS DISTURBED DURING CONSTRUCTION SHALL BE RESTORED (LOAM AND SEED) TO INCLUDE HISTORIC TEST PITS OUTSIDE CONSTRUCTION LIMITS.
- CONTRACTOR WILL BE RESPONSIBLE FOR OBTAINING ANY APPLICABLE PERMITS.
- CONTRACTOR WILL BE RESPONSIBLE FOR CONTACTING DIG SAFE (888-DIGSAFE) AND ANY OTHER APPLICABLE UTILITY COMPANIES PRIOR TO STARTING WORK.
- UNDERGROUND UTILITY LOCATIONS SHOWN ARE APPROXIMATE ONLY.
- CONTRACTOR WILL BE RESPONSIBLE FOR COMBINING LAUNDRY FLOW WITH SYSTEM.
- CONTRACTOR RESPONSIBLE FOR IMPLEMENTING ALL O.S.H.A. PROCEDURES TO INCLUDE BUT NOT LIMITED TO CONFINED SPACE ENTRY PROCEDURES.
- CONTRACTOR RESPONSIBLE FOR CONFIRMING LOCATION OF EXISTING LEACHING FACILITY
- CONTRACTOR TO CONFIRM EXISTING PLUMBING, BENCHMARK, AND SILL ELEVATIONS PRIOR TO CONSTRUCTION.
- MAGNETIC LOCATOR TAPE TO BE PLACED ON ALL SEPTIC SYSTEM COMPONENTS.
- LEACHING FIELD AND WORK LIMIT TO BE STAKE OUT BY DESIGN FIRM TO PREVENT ABUTTER ENCROACHMENT.

DESIGN DATA:

DESIGN FLOW:
4 BEDROOMS x 110 GPD/BEDROOM = 440 GPD
SEPTIC TANK:
440 GPD x 2.0 = 880 GALLONS
USE NEW 1,500 GALLON SEPTIC TANK
SOIL ABSORPTION SYSTEM:
PERCOLATION RATE = <2 MIN./INCH (CLASS 1 SOIL)
DESIGN LOADING RATE = 0.74 GPD/SF
LEACHING AREA REQ'D = (440 GPD) / 0.74 GPD/SF = 595 SF
USE: 20' X 35' LEACHING FIELD CONFIGURATION
LEACHING AREA PROVIDED:
20' X 35' = 700 SF > 595 REQUIRED
DAILY FLOW CAPACITY:
700 SF X 0.74 GPD/SF = 518 GPD > 440 GPD REQ'D

SOIL DATA:

DATE: MARCH 27, 2023
PERFORMED BY: GEORGE R. COLLINS, P.E.
WITNESSED BY: SEAN LEAHY, STOUGHTON BOH

| SOIL HORIZ. | SOIL COLOR | TP-1 | DEPTH | ELEV. | SOIL HORIZ. | SOIL COLOR | TP-2 | DEPTH | ELEV. | SOIL HORIZ. | SOIL COLOR | TP-3 | DEPTH | ELEV. |
|-------------|------------|-------------------------|-------|-------|-------------|------------|-------------------------|-------|-------|-------------|------------|-------------------------|-------|-------|
| | | FILL/A | 0 | 54.00 | | | FILL/A | 0 | 54.50 | | | FILL/A | 0 | 54.40 |
| Bw | 10YR 5/6 | SANDY LOAM | 6" | | Bw | 10YR 5/6 | SANDY LOAM | 15" | | Bw | 10YR 5/6 | SANDY LOAM | 8" | |
| | | 36" BOTTOM OF PERC HOLE | 15" | | | | 48" BOTTOM OF PERC HOLE | 34" | | | | 48" BOTTOM OF PERC HOLE | 28" | |
| C | 2.5Y 6/3 | M-C SAND | 92" | 46.33 | C | 2.5Y 6/3 | M-C SAND | 94" | 46.67 | C | 2.5Y 6/3 | M-C SAND | 100" | 46.07 |
| | | | 132" | 43.00 | | | | 130" | 43.67 | | | | 130" | 43.57 |

EST. SEASONAL HIGH GROUNDWATER ELEV. = 46.33 (TP-2)
NOTE: LAYERS FILL/A, B, AND C TO BE REMOVED TO A DEPTH OF 36 INCHES BELOW GRADE AND REPLACED WITH CLEAN FILL IN ACCORDANCE WITH 310 CMR 15.255(3). UNSUITABLE SOIL TO BE REMOVED TO A DISTANCE OF 5'-0" BEYOND THE LIMITS OF THE SOIL ABSORPTION SYSTEM.

| | | | | | | | |
|------|------|-------------|----|------|--|------------------------|---|
| REV. | DATE | DESCRIPTION | BY | APP. | DRAWING TITLE PLAN AND DETAILS SUBSURFACE SEWAGE DISPOSAL SYSTEM | SCALE: AS SHOWN | |
| | | | | | PROJECT 115 BRICKLE ROAD STOUGHTON, MA | DATE: 4-12-23 | |
| | | | | | CLIENT JOAN COCCHI 187 PLAIN STREET, STOUGHTON, MA 02072 | DRAWN BY: P.J.L. | |
| | | | | | COLLINS CIVIL ENGINEERING GROUP, INC. BRAintree - FALMOUTH - WEST BRIDGEWATER CIVIL ENGINEERING - LAND SURVEY - L.S.P. SERVICES 225 SOUTH MAIN STREET, WEST BRIDGEWATER, MA 02379 TEL: 508-580-2932 MOBILE: 617-347-1363 E-MAIL: GRCP@aol.com | DESIGNED BY: P.J.L. | |
| | | | | | | CHECKED BY: GRC | |
| | | | | | | APPROVED BY: GRC | DRAWING NO. PROJECT NO. 23-046-3705 |